

Dresser* B3 Meter with Solid State Pulsar

The Dresser B3 Meter with Solid State Pulsar¹ generates low frequency pulses which represent volumetric information necessary for remote data collection units. Solid state construction eliminates mechanical switches and supports high reliability. No battery and no maintenance are required.

The dual connector option allows one connector to be used with your AMR system and a separate connector for your customer. These pulsers are available for our Series B3 (Life-Lubed™) meters and Series A1 (LM-MA) meters.

Specifications

Loop Voltage	3-30 VDC
Maximum Loop Current	10 mA
Contact Bounce	0 msec
Min. Pulse Width	50 msec or 50% of duty cycle (whichever is smaller)
Switch Closed	R < 10 OHMS
Switch Opened	R > 1 MEGA OHM
Temperature Range	-40°F to +140°F -40°C to +60°C
Humidity	95% non-condensing
Output²	Form C
Series 3 & 1 TC (Temp. Comp.) Version	Non-compensated and compensated pulse
Counter (CTR) Version	Non-compensated pulse
Outputs	Single or dual connectors (circular, conduit, or cable gland)

¹ U.S. Patent Number; 5,530,298

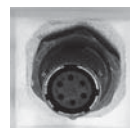
² Form A wiring acceptable. A two-wire Form B will not function properly.

NOTE: Solid State Pulsar can be purchased in a conversion kit or factory installed on a Dresser Meter.



Features

- Bounceless Switch
- Internal mounting
- No battery
- No moving parts
- Reliable Wiegand technology
- Rugged, weatherproof housing
- Corrected & uncorrected outputs
- Universal interface



Circular Connector



Conduit



Cable Gland



Reference Data

Version	Type	# Connectors	P/N Amph. Conn. #399 Kit	P/N Conduit Conn. #399 Kit	Meter Size	Pulse Rate (English)	Pulse Rate (Metric)	Non-Comp. Pulse Wiring	Comp. Pulse Wiring
Series B3 (Life-Lubed)	Counter	Single	057128-060	057128-130	8C-3M	10 cf	0.1 m ³	ABC	
	Counter	Single	057128-060	057128-130	5M-11M	10 cf	1.0 m ³	ABC	
	Counter	Single	057128-060	057128-130	16M-38M	100 cf	1.0 m ³	ABC	
	Counter	Single	057128-060	057128-130	56M	100 cf	10.0 m ³	ABC	
	Counter	Dual	057128-070	057128-130	8C-3M	10 cf	0.1 m ³	ABC	
	Counter	Dual	057128-070	057128-130	5M-11M	10 cf	1.0 m ³	ABC	
	Counter	Dual	057128-070	057128-130	16M-38M	100 cf	1.0 m ³	ABC	
	Counter	Dual	057128-070	057128-130	56M	100 cf	10.0 m ³	ABC	
	TC	Single	057128-310	057128-260	8C-3M	10 cf	.1 m ³	ABC	DEF
	TC	Single	057128-310	057128-260	5M-11M	10 cf	1.0 m ³	ABC	DEF
	TC	Single	057128-310	057128-260	16M	100 cf	1.0 m ³	ABC	DEF
	TC	Dual	057128-320	057128-260	8C-3M	10 cf	.1 m ³	ABC	DEF
	TC	Dual	057128-320	057128-260	5M-11M	10 cf	1.0 m ³	ABC	DEF
TC	Dual	057128-320	057128-260	16M	100 cf	1.0 m ³	ABC	DEF	

NOTE: For Series 3 Pulser-Ready Accessory Units, a credit may be applied for deduction of magnets from SSP #399 Kits.

Application Guide

HAZARDOUS LOCATION

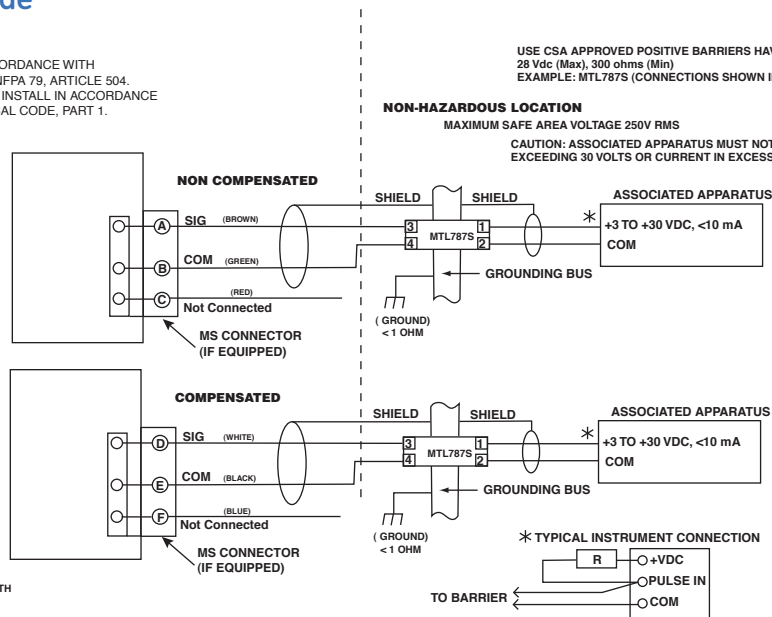
INSTALLATION MUST BE IN ACCORDANCE WITH ANSI/ISA RP 12.60R NEC ANSI/NFPA 79, ARTICLE 504. FOR INSTALLATION IN CANADA, INSTALL IN ACCORDANCE WITH THE CANADIAN ELECTRICAL CODE, PART 1.

USE CSA APPROVED POSITIVE BARRIERS HAVING THE FOLLOWING PARAMETERS:
28 Vdc (Max), 300 ohms (Min)
EXAMPLE: MTL787S (CONNECTIONS SHOWN IN DIAGRAM)

NON-HAZARDOUS LOCATION

MAXIMUM SAFE AREA VOLTAGE 250V RMS

CAUTION: ASSOCIATED APPARATUS MUST NOT SUPPLY VOLTAGE EXCEEDING 30 VOLTS OR CURRENT IN EXCESS OF 10 MILLI-AMPS



NOTE: ACCESSORY MODEL SSP FOR USE WITH ROOTS® SERIES B3 GAS METERS.

INSTALL IN ACCORDANCE WITH THE BARRIER MANUFACTURER'S INSTRUCTIONS.

Field Wiring Diagram
Solid State Pulser
Customer Installation

Drawing Number
A057159-000

IF RESISTOR MUST BE INSTALLED, CHOOSE VALUE BY $R = \text{VDC}/01$
EXAMPLE: IF VDC IS 5 VOLTS,
 $R = 5 / .01 = 500 \text{ OHMS}$.
DO NOT USE A VALUE SMALLER THAN THIS.

PRELIMINARY INFORMATION. APPROVALS NOT YET GRANTED



GE Oil & Gas

16240 Port Northwest Drive, Suite 100
Houston, TX 77041
T: +1 832.590.2303 Inside US T: 800.521.1114
F: +1 832.590.2494 Inside US F: 800.335.5224
Email: rootsmeters.inquiries@ge.com

Visit us online at: www.ge.com/energy

©2012, General Electric Company
All Rights Reserved

* Trademark of General Electric Company