



ROOTS **Meters** & Instruments

Style #75 I “Y” Strainer Cast Iron ASTM A216 Class B 125 Ib. ANSI Flanged Connections

Sizes: 1-1/2”

Construction: Construction features machined seats in both the body and cover flange for secure screen retention.

Blow-off Outlets: They are tapped N.P.T. sizes as specified in the dimensional table. The plug is not supplied.

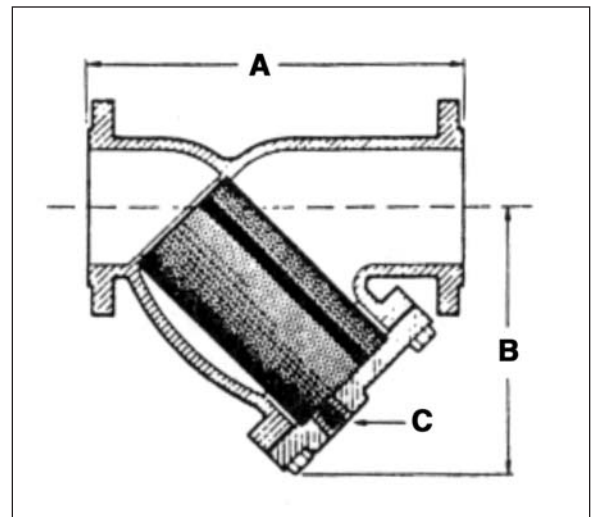
Operating Pressure and Temperature:
Gas – 200 psi at 150° F

Standard Screen: 100 Mesh, Stainless Steel.

Open Area: 30.3%

Openings: 0.005”

Dimensional Data:



Style #	Pipe Size	Part Number	Dimensions in Inches			Weight in Lbs.
			A	B	C	
751	1-1/2”	A012781-001	7-1/2	4-3/4	1/2	13



Process Valve & Equipment Co. | Manufacturer's Rep. & Stocking Distributor

7205 Chagrin Road
Chagrin Falls, Ohio 44023
<http://www.processvalve.com>

Ph: 1-800-922-8897

Fax: 1-440-247-7305

sales@processvalve.com



ROOTS **Meters** & Instruments

Style #11 “Y” Strainer Cast Iron ASTM A216 Class B Screwed Connections

Sizes: 1-1/2", 2", 3"

Construction: Constructed of Extra Heavy body with a machined seat to make the screen self-aligning. The machined seat simultaneously holds the screen securely in place with a straight threaded and gasketed cap.

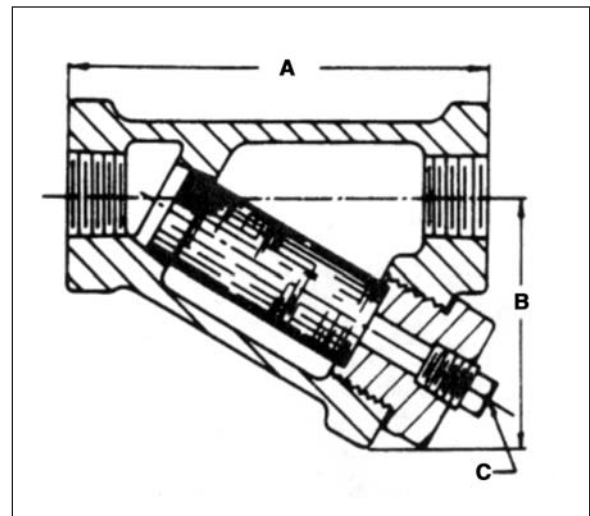
Blow-off Outlets: They are tapped N.P.T. sizes as specified in the dimensional table. The plug is not supplied.

Operating Pressure and Temperature:
Gas – 400 psi at 150° F

Standard Screen: 100 Mesh, Stainless Steel.

Open Area: 30.3%

Openings: 0.005"



Dimensional Data:

Style #	Pipe Size	Part Number	Dimensions in Inches			Weight in Lbs.
			A	B	C	
11	1-1/2"	A012558-007	5-3/4	3-7/8	3/4	8-1/8
	2"	A012558-008	7	4-3/4	1	12-1/2
	3"	A012558-010	10	6	1-1/2	30



Process Valve & Equipment Co. | Manufacturer's Rep. & Stocking Distributor

7205 Chagrin Road
Chagrin Falls, Ohio 44023
<http://www.processvalve.com>

Ph: 1-800-922-8897 Fax: 1-440-247-7305

sales@processvalve.com



ROOTS Meters & Instruments

Style #75 I and #758 "Y" Strainer Cast Iron ASTM A216 Class B 125 lb. ANSI Flanged Connections

Sizes: 1-1/2", 2", 3", 4", 6", 8", and 10"

Construction: All covers have an N.P.T. blow-off outlet at location "C". When the strainer is mounted in vertical piping, the cover must be rotated to position the blow-off at the lowest point.

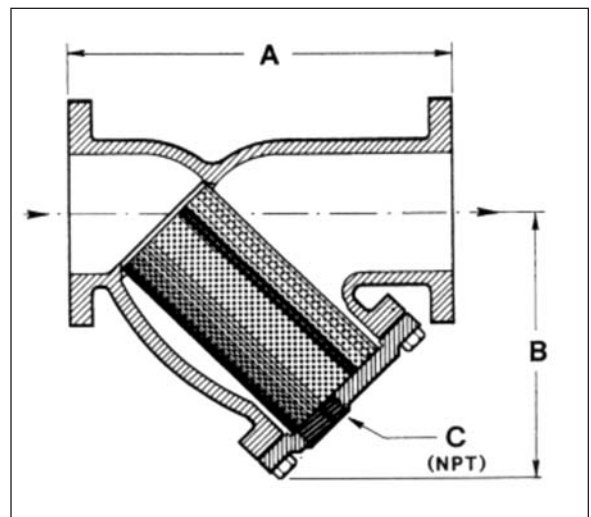
Blow-off Outlets: They are tapped N.P.T. sizes as specified in the dimensional table. The plug is not supplied.

Operating Pressure and Temperature:
Gas – 200 psi at 150° F

Standard Screen: 100 Mesh, Stainless Steel.

Open Area: 30.3%

Openings: 0.005"



Dimensional Data:

Style #	Pipe Size	Part Number	Dimensions in Inches			Weight in Lbs.
			A	B	C	
751	1-1/2"	A012781-001	7-1/2	4-3/4	1/2	13
758	2"	A012591-001	7-7/8	7	1/2	18
	3"	A012591-002	10-1/8	10	1	34
	4"	A012591-003	12-1/8	12	1-1/2	60
	6"	A012591-005	18-1/2	20	2	133
	8"	A012591-006	21-5/8	22-3/4	2	247
	10"	A012591-007	26	28	2	370



Process Valve & Equipment Co. | Manufacturer's Rep. & Stocking Distributor

7205 Chagrin Road
Chagrin Falls, Ohio 44023
<http://www.processvalve.com>

Ph: 1-800-922-8897 Fax: 1-440-247-7305

sales@processvalve.com



ROOTS Meters & Instruments

Style #76I and #78I “Y” Strainer Cast Carbon Steel ASTM A216 Grade WCB, 150 lb. ANSI Flanged Connections

Sizes: 1-1/2", 2", 3", 4", 6", 8", and 10"

Construction: Extremely rugged bodies. All sizes have screens with a minimum capacity of four (4) times the corresponding pipe size when equipped with standard screens

Blow-off Outlets: They are tapped N.P.T. sizes as specified in the dimensional table. The plug is not supplied.

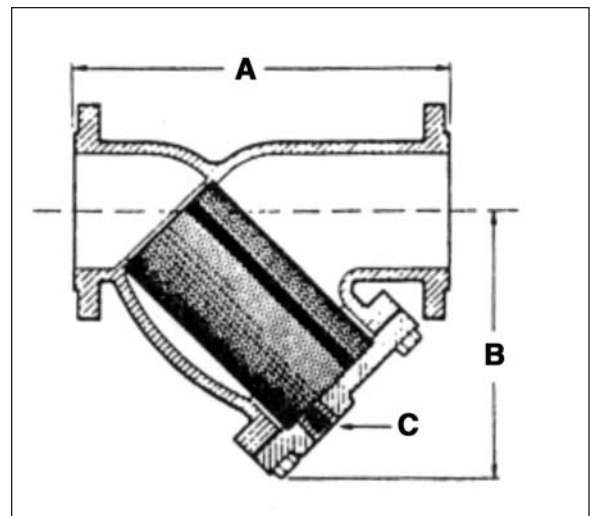
Operating Pressure and Temperature:
Gas – 285 psi at 100° F

Standard Screen: 100 Mesh, Stainless Steel.

Open Area: 30.3%

Openings: 0.005"

Dimensional Data:



Style #	Pipe Size	Part Number	Dimensions in Inches			Weight in Lbs.
			A	B	C	
761	1-1/2"	B012653-005	7-1/8	4-3/4	1/2	12-1/2
781	2"	B012891-001	7-7/8	5-1/4	1/2	18
	3"	B012891-002	10	7	1	34
	4"	B012891-003	12-1/8	8-1/4	1-1/2	58
	6"	B012891-004	18-1/2	13-1/2	2	125
	8"	B012891-005	21-5/8	25-3/4	2	220
	10"	b012891-006	26	19	2	320



Process Valve & Equipment Co. | Manufacturer's Rep. & Stocking Distributor

7205 Chagrin Road
Chagrin Falls, Ohio 44023
<http://www.processvalve.com>

Ph: 1-800-922-8897 Fax: 1-440-247-7305

sales@processvalve.com



ROOTS Meters & Instruments

Style #764 "Y" Strainer Cast Carbon Steel ASTM A216 Flanged Connections

Sizes: 2", 3", 4"

Construction: Extremely rugged bodies. All sizes have screens with a minimum capacity of four (4) times the corresponding pipe size when equipped with standard screens.

Blow-off Outlets: They are tapped N.P.T. sizes as specified in the dimensional table. The plug is not supplied.

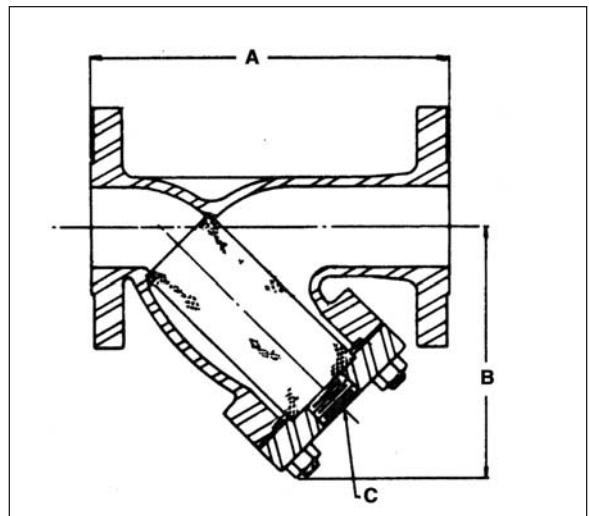
Operating Pressure and Temperature:
Gas – 1480 psi at 100° F

Standard Screen: 100 Mesh, Stainless Steel.

Open Area: 30.3%

Openings: 0.005"

Dimensional Data:



Style #	Pipe Size	Part Number	Dimensions in Inches			Weight in Lbs.
			A	B	C	
764	2"	B012653-206	11	7	1/2	40
	3"	B012653-208	13-1/2	9-1/4	1-1/4	78
	4"	B012653-210	17-15/16	12-1/2	1-1/2	160



Process Valve & Equipment Co. | Manufacturer's Rep. & Stocking Distributor

7205 Chagrin Road
Chagrin Falls, Ohio 44023
<http://www.processvalve.com>

Ph: 1-800-922-8897 Fax: 1-440-247-7305

sales@processvalve.com



ROOTS **Meters** & Instruments

Style #782 “Y” Strainer Cast Carbon Steel ASTM A216 Grade WCB, 300 lb. ANSI Flanged Connections

Sizes: 2”, 3”, 4”, and 6”

Construction: Extremely rugged bodies. All sizes have screens with a minimum capacity of four (4) times the corresponding pipe size when equipped with standard screens.

Blow-off Outlets: They are tapped N.P.T. sizes as specified in the dimensional table. The plug is not supplied.

Operating Pressure and Temperature:

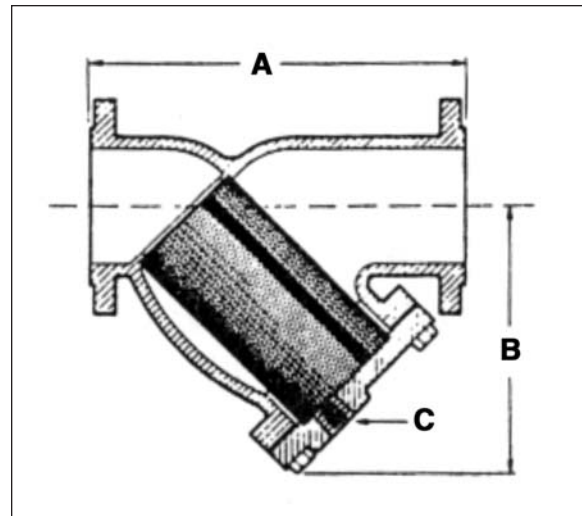
Gas – 740 psi at 100° F

Standard Screen: 100 Mesh, Stainless Steel.

Open Area: 30.3%

Openings: 0.005”

Dimensional Data:



Style #	Pipe Size	Part Number	Dimensions in Inches			Weight in Lbs.
			A	B	C	
782	2”	B012892-001	8-5/8	5-1/4	1/2	22
	3”	B012892-002	12	7	1	49
	4”	B012892-003	14-1/2	8-1/4	1-1/2	90
	6”	B012892-004	19-15/16	13-1/2	2	175



Process Valve & Equipment Co. | Manufacturer's Rep. & Stocking Distributor

7205 Chagrin Road
Chagrin Falls, Ohio 44023
<http://www.processvalve.com>

Ph: 1-800-922-8897 Fax: 1-440-247-7305

sales@processvalve.com