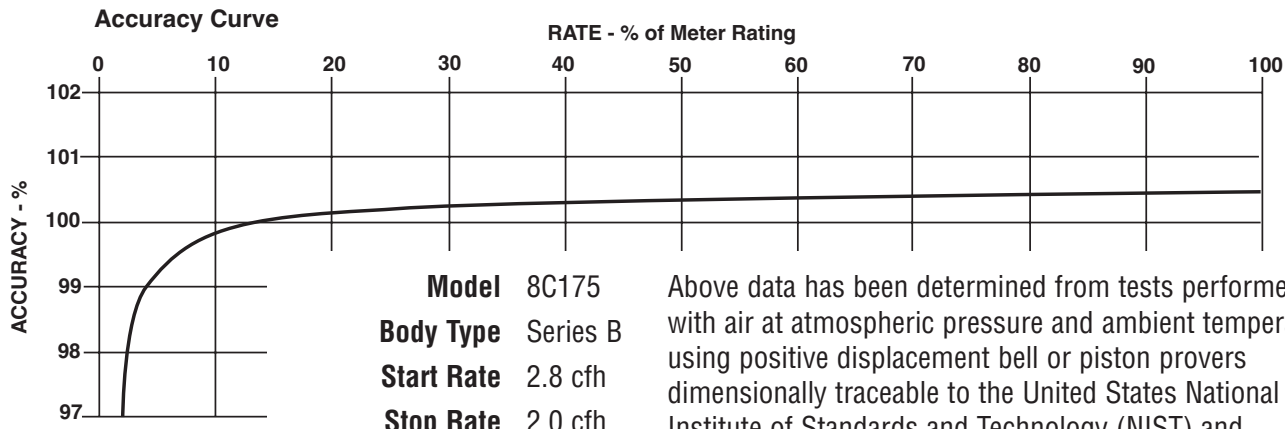




SERIES B3: 8C175 ROOTS® Meter

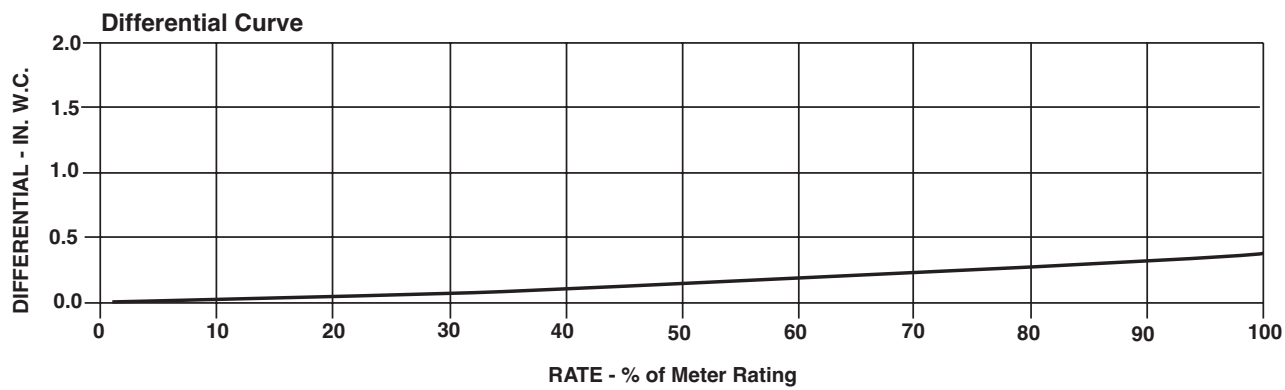
	UNITS	Imperial	UNITS	Metric
Temperature Range	deg. F	-40 to +140	deg. C	-40 to +60
Base Rating (Q Max.)	acfh	800	m ³ /h	22,6
Max. Operating Pressure (MAOP) ¹	psig	175	kPa	1200
Leak Test (125% MAOP)	psig	219	kPa	1510
Static Test (2 x MAOP)	psig	350	kPa	2400
Rangeability +/- 1%	ratio	26:1	ratio	26:1
Rangeability +/- 2%	ratio	46:1	ratio	46:1
Start Rate	cfh	2.79	m ³ /h	0,0790
Stop Rate	cfh	2.03	m ³ /h	0,0575
Flow Rate @ 0.5" w.c., Gas	cfh	800	m ³ /h	22,6
Avg. Differential, 100% Flow	in. w.c.	0.45	mbar	1,1
Max. Pressurization Rate	psig/sec	5	kPa/sec	35
Max. Operating Speed	rpm	1800	rpm	1800
Gear Ratio	ratio	1350:1	ratio	476,4705:1
Displaced Volume/Revolution	cf	0.007407	m ³	0,000210
Drive Rate, CD	cf/rev	10	m ³ /rev	0,1
Drive Rate, TD	cf/rev	100	m ³ /rev	1
Temp. Compensating Range (TC, TD)	deg. F	-20 to +120	deg. C	-20 to +50
Min. Odometer Reading	cf	0.2	m ³	0,002
Odometer Turnover	yrs.	14.27	yrs.	5,03
Nominal Pipe Size	in.	2	mm	50
Flange-to-Flange	in.	6-3/4	mm	172
Flange Connection	ANSI	150#FF	ANSI	150#FF
Bolts per Flange	qty.	4	qty.	4
Bolt Size ²	in.	5/8 - 11	in.	5/8 - 11
Flange Bolt Hole Depth	in.	15/16	mm	23,8
Bolt Torque: Lubricated/Non-Lub.	ft.-lb.	55/60	N-m	74/81
Restricting Orifice (120%)	in.	9/32	mm	7,144
Oil Capacity – Side Inlet	oz.	0.8	ml	24
Oil Capacity – Top Inlet	oz.	3	ml	89
Counter Version (CTR) ³				
Net Weight	lbs.	18	kg	8,2
Shipping Weight	lbs.	21	kg	9,5
Carton Size	in.	22 x 10-1/8 x 7-3/4	cm	55 x 26 x 19
Counter with Instrument Drive (CD) ³				
Net Weight	lbs.	22	kg	10,0
Shipping Weight	lbs.	25	kg	11,3
Carton Size	in.	22 x 10-1/8 x 7-3/4	cm	55 x 26 x 19

NOTES:¹ Available with 200 PSIG rating.² Bolt Length varies by application.³ Weights and dimensions available for CPS, TC, TD, TPS upon request.

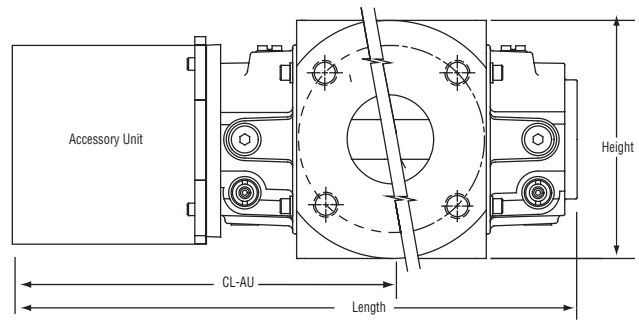


Model 8C175
Body Type Series B
Start Rate 2.8 cfh
Stop Rate 2.0 cfh
Rangeability ±1% 26:1
Rangeability ±2% 46:1

Above data has been determined from tests performed with air at atmospheric pressure and ambient temperature, using positive displacement bell or piston provers dimensionally traceable to the United States National Institute of Standards and Technology (NIST) and traceable to NMI - Netherlands Measurements Institute for volumetric flow rate.



8C175 Series B3	Overall Length		Overall Height		Width (Flange/Flange)		Centerline to Accessory End (CL-AU)		Request Detailed Drawing Number
	inches	mm	inches	mm	inches	mm	inches	mm	
CTR/TC	13-15/16	354	6	153	6-3/4	172	9-1/4	235	D054516-000
CD/TD	17-9/16	446	6-9/32	160	6-3/4	172	13-1/8	333	D054430-000
ICPW/ITPW/ICEX	15-5/16	389	6	153	6-3/4	172	10-27/32	275	D057415-000
IMC/W2	19-1/4	489	6	153	6-3/4	172	14-9/16	370	D056701-000



To order

Specify: Meter Series, Size and Type (i.e., ROOTS Meter Series B3 8C175 CD).
 For CD or TD, specify Inlet (Top or Side) and ID Rotation (CW-B or CCW-A).
 For Pulsar, specify Single or Dual Connectors and Connector Type (MS Circular, Conduit or Cable Gland).
 For more specific ordering information on the electronic products, request: TS:SSP or TS:IMC/W2.
 Contact the factory for other available information, options, or special requests.

Roots Meters & Instruments
Dresser, Inc.
 16240 Port Northwest Drive
 Houston, Texas 77041-2645 USA
 Inside US Ph: 800.521.1114 Fax: 800.335.5224
 Outside US Ph: 832.590.2303 Fax: 832.590.2494



www.dresser.com